

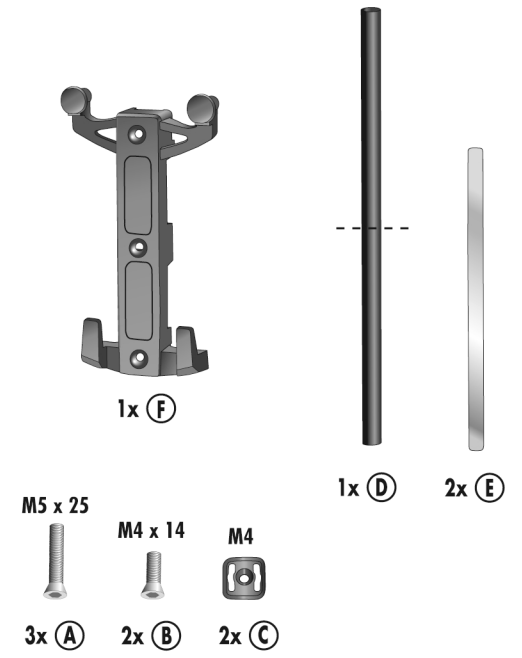
# FORK-PACK



- DE MONTAGEANWEISUNG
- GB ASSEMBLY INSTRUCTIONS
- FR INSTRUCTIONS DE MONTAGE
- IT ISTRUZIONI DI MONTAGGIO
- NL MONTAGE HANDLEIDING
- DK MONTERINGSVEJLEDNING
- ES INSTRUCCIONES DE MONTAJE
- SE MONTERINGSANVISNING
- NO MONTERINGSANVISNING
- FI ASENNUSOHJEET
- PL INSTRUKCJA MONTAZU
- JP 装着方法



INHALT:  
CONTENTS:  
CONTENU:  
CONTENUTO:  
INHOUD:  
INDHOLD:  
CONTENIDO:  
INNEHÅLL:  
INNHOUD:  
SISÄLLYS:  
ZAWARTOSC:  
内容物



**1**

Alu Steel } ✓ = O.K.  
Carbon } = O.K.

Alu Steel } ✓ = O.K.  
Carbon } ✗

Alu Steel } ✓ = O.K.  
Carbon } ✗

min. 150 mm

30 - 42 mm

OPTION ACCESSORIES += Art. # E240  
ADAPTER 45° TO 30°

✗

✗

**1**

+3 x A

+1 x F

1,0 Nm

M5 ✓ = O.K.

**2**

a) +1 x A

b) +1 x B  
+1 x C  
+1 x D  
+1 x E

+1 x F

?

(->3.1 - 3.4)

a) +1 x A

b) 2,5 Nm

M4 ✓ = O.K.

1,0 Nm

M5 ✓ = O.K.

**3**

+2 x B

+2 x C

+1 x D

+2 x E

+1 x F

30 - 42 mm

✓ = O.K.

**3.1**

D

max. 3/4

1/4

30 - 42 mm

✓ = O.K.

1/2

D

1/2

**3.2**

PRESS!

!

2 x

**3.3**

1/2 D

E

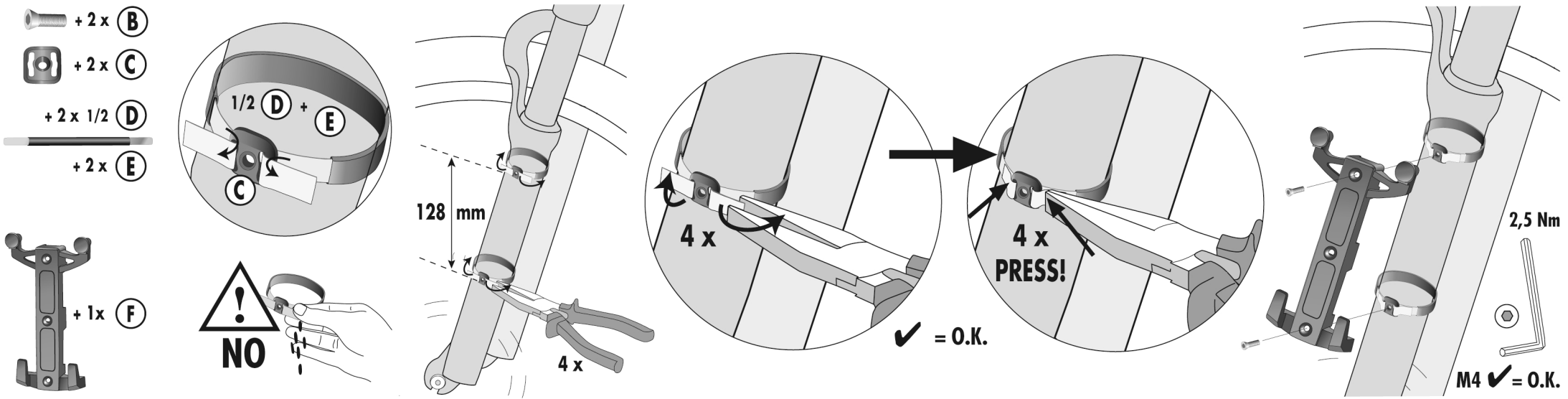
1/2 D

E

110 °C  
230 °F

= 1 min.

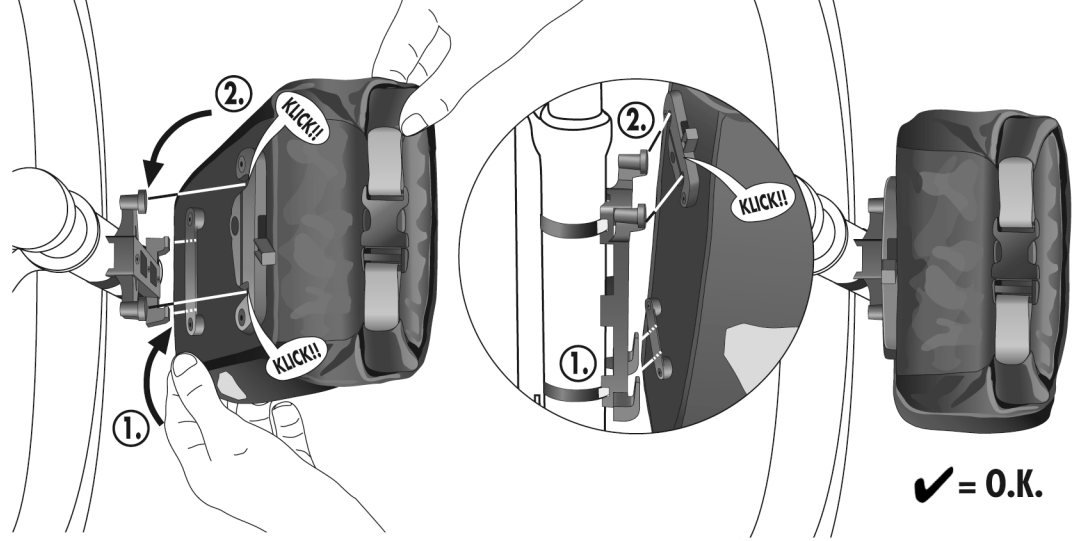
3.4.



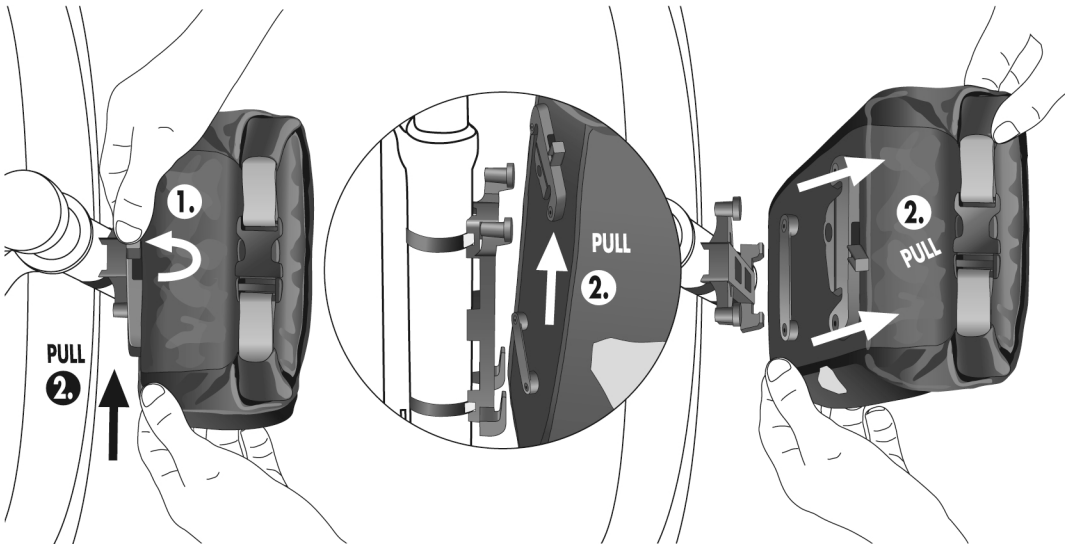
4. CLOSE



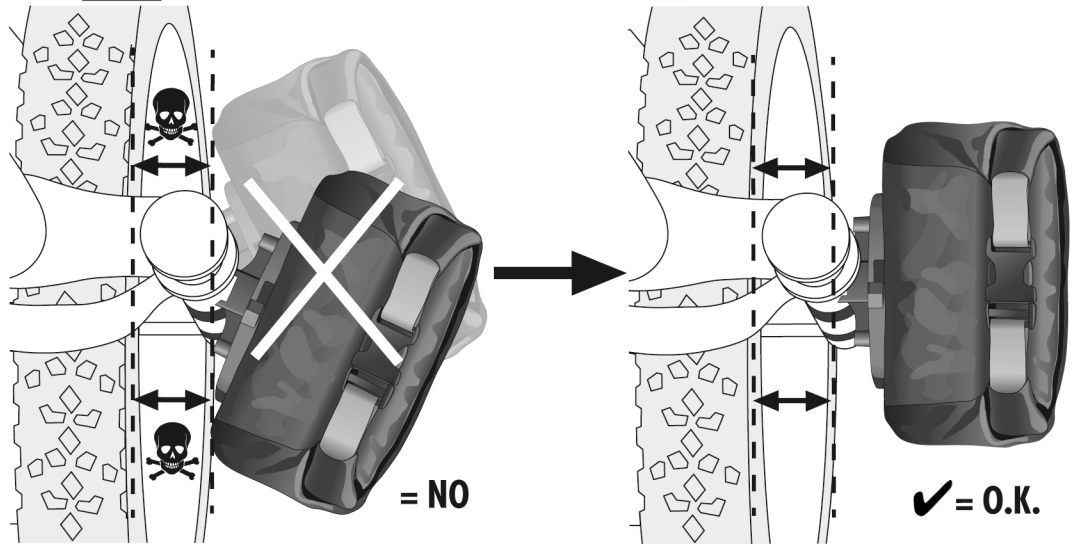
5. FIX



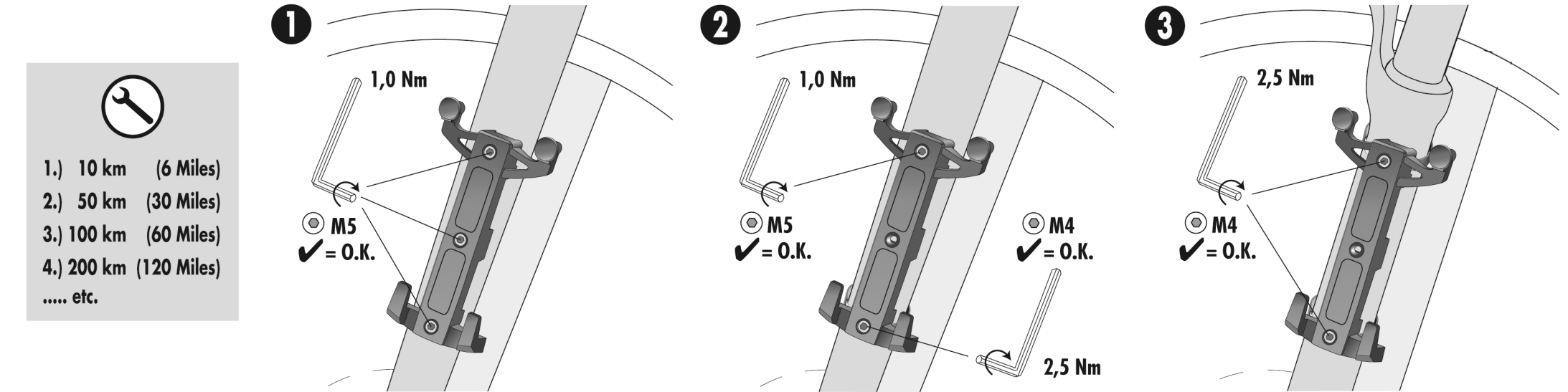
6. UNFIX



7.



8. ! CHECK FIXATION BEFORE EVERY RIDE!



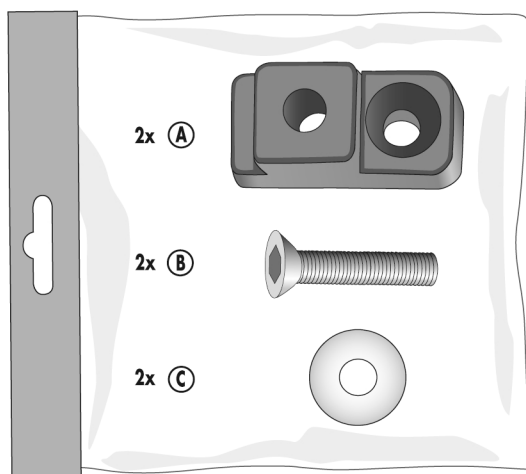
9.

ACCESSORIES

! = NO JUMP!



4 OPTION ACCESSORIES += Art. # E240 - ADAPTER 45° TO 30°



+= Art. # E235

